

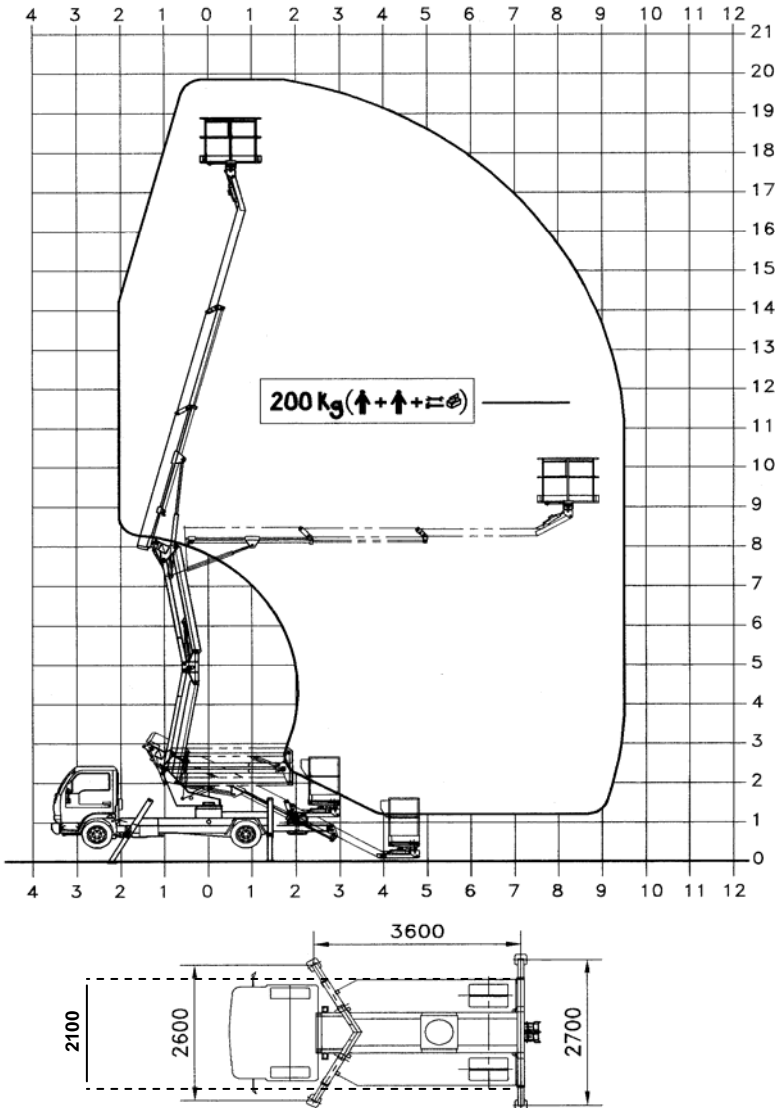
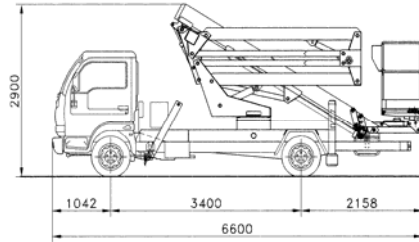
technical specification ▶▶▶

boom specification

- ▶ working height 20m (63ft)
- ▶ outreach limit 9.5m(29ft)
- ▶ load capacity 200kg
- ▶ 360 degree boom rotation

vehicle chassis

- ▶ nissan 120hp cabstar
- ▶ 3500kg GVW
- ▶ air conditioned cabs



Z-20 ▶▶▶

Self-Drive Access



smart ▶▶▶ platform rental